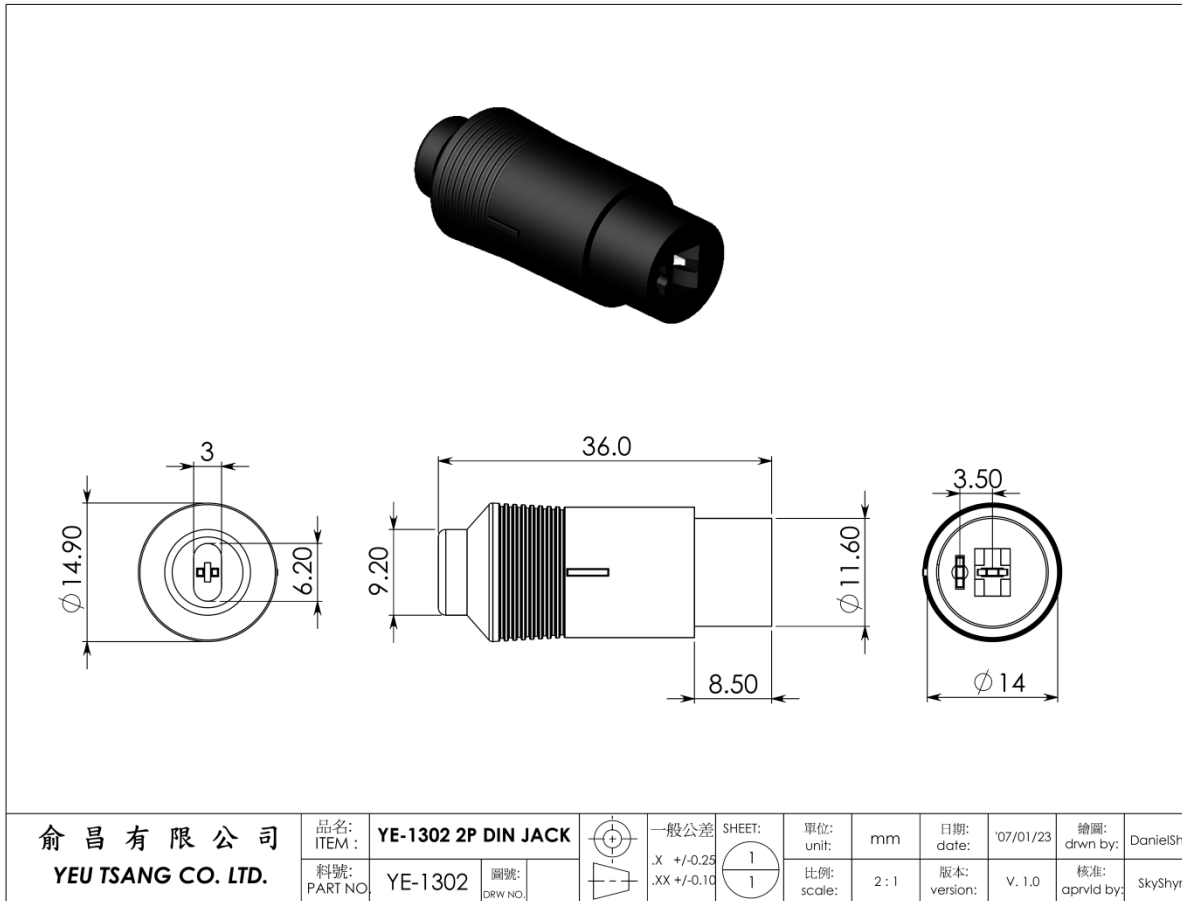


YE-1302 2P DIN CABLE JACK



MATERIALS :

1. HOUSING : ABS
2. SHELL COVER : EVA
3. TERMINALS : BRASS SILVER PTD.

SPECIFICATION :

rating :

100V AC 1A MAX

contact resistance :

30mΩ MAX

insulation resistance :

MIN 100 MEGΩ @500V DC

voltage withstand :

250V AC R.M.S. for 1
minute

俞昌有限公司
YEU TSANG CO. LTD.

品名:
ITEM: YE-1302 2P DIN JACK
料號:
PART NO. YE-1302 圖號:
DRAW NO.



一般公差
.X +/-0.25
.XX +/-0.10

SHEET:
1
1

單位:
unit: mm
比例:
scale: 2 : 1

日期:
date: '07/01/23
版本:
version: V. 1.0

繪圖:
drwn by: DanielShyr
核准:
aprvd by: SkyShyr